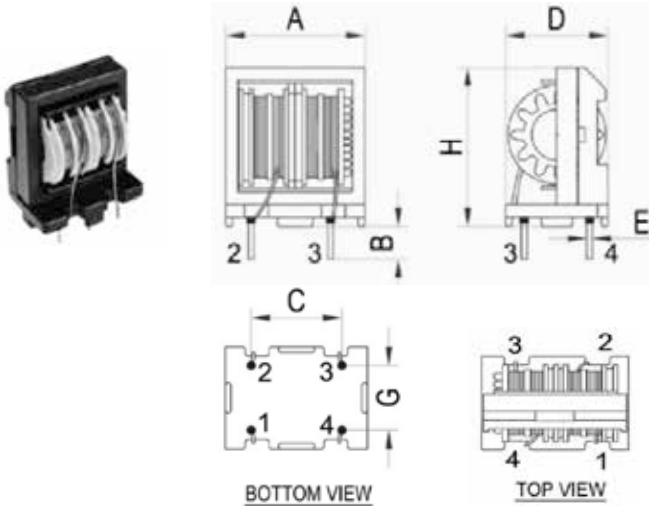




ET SERIES

Line filter using ET core building

Shape and Dimensions(unit:mm):



Item	A	B	C	G	D	H	E
	max	±1.0	±0.5	±0.5	max	max	±0.05
ET24	26.0	4.0	13.0	10.0	19.0	31.5	0.80
ET28	30.5	4.0	13.0	10.0	22.0	36.0	0.80
ET35	37.0	4.0	21.0	15.0	26.0	45.0	1.20

Test equipment and test setup:

- HP4284A PRECISION LCR METER
- CHEN HWA 502BC OHM METER
- 7142 AC/DC withstand/insulation tester.

Applications:

- EMC suppressors.
- AC line filter.

Product Identification:

ET 24 - 242 U - 2.5A

(1) (2) (3) (4) (5)

- (1) Core shape
- (2) Dimensional code.
- (3) Inductance : 242 for 2.4mH
- (4) Inductance tolerance: "U" means Minimum.
- (5) Rate current: Amp.

Feature:

- Line filters suppressing conductive noise ranging from low to high frequencies generated at power supply circuits of the various electronic equipment.
- High safety and reliability .
- Closed magnetic circuit.
- Easy PC board mounting.
- Customer's specifications are welcome.

Characteristics:

- Rated Current: The current when temperature of coil increases up to Max. $\Delta T=40^{\circ}\text{C}$. ($T_a=20^{\circ}\text{C}$)
- Rated voltage: 250VAC.
- Insulation: AC 2000V 1 minute between line & line.
- Insulation Resistance: 100 M Ω Min when DC 500V between line & line.
- Operating temperature : -20°C to 80°C .

PART NO.	L @1kHz min. (mH)	DCR Max. (OHM)	Rated Current (A) Max.	PART NO.	L @1kHz min. (mH)	DCR Max. (OHM)	Rated Current (A) Max.
ET24-242U-2.5A	2.4	0.09	2.5	ET28-802U-2A	8	0.18	2.0
ET24-332U-2A	3.3	0.11	2.0	ET28-123U-1.8A	12	0.27	1.8
ET24-392U-1.8A	3.9	0.15	1.8	ET28-203U-1.5A	20	0.41	1.5
ET24-452U-1.5A	4.5	0.19	1.5	ET28-253U-1.2A	25	0.56	1.2
ET24-103U-1.2A	10	0.38	1.2	ET28-353U-1A	35	0.78	1.0
ET24-203U-1A	20	0.64	1.0	ET35-472U-4A	4.7	0.062	4.0
ET24-253U-0.8A	25	0.88	0.8	ET35-562U-3A	5.6	0.077	3.5
ET24-333U-0.6A	33	1.20	0.6	ET35-822U-3A	8.2	0.105	3.0
ET24-453U-0.5A	45	1.65	0.5	ET35-103U-2.7A	10	0.14	2.7
ET24-683U-0.4A	68	2.30	0.4	ET35-123U-2.5A	12	0.17	2.5
ET28-182U-4A	1.8	0.05	4.0	ET35-153U-2.2A	15	0.21	2.2
ET28-332U-3A	3.3	0.088	3.0	ET35-183U-2A	18	0.23	2.0
ET28-472U-2.8A	4.7	0.10	2.8	ET35-223U-1.8A	22	0.29	1.8
ET28-562U-2.5A	5.6	0.13	2.5	ET35-333U-1.5A	33	0.42	1.5

* Due to the limited space, the catalogue shows the typical specifications only. For more specific details (characteristics graph, reliability, and others), kindly invite you to access 3L official website www.3lcoil.com for better known.