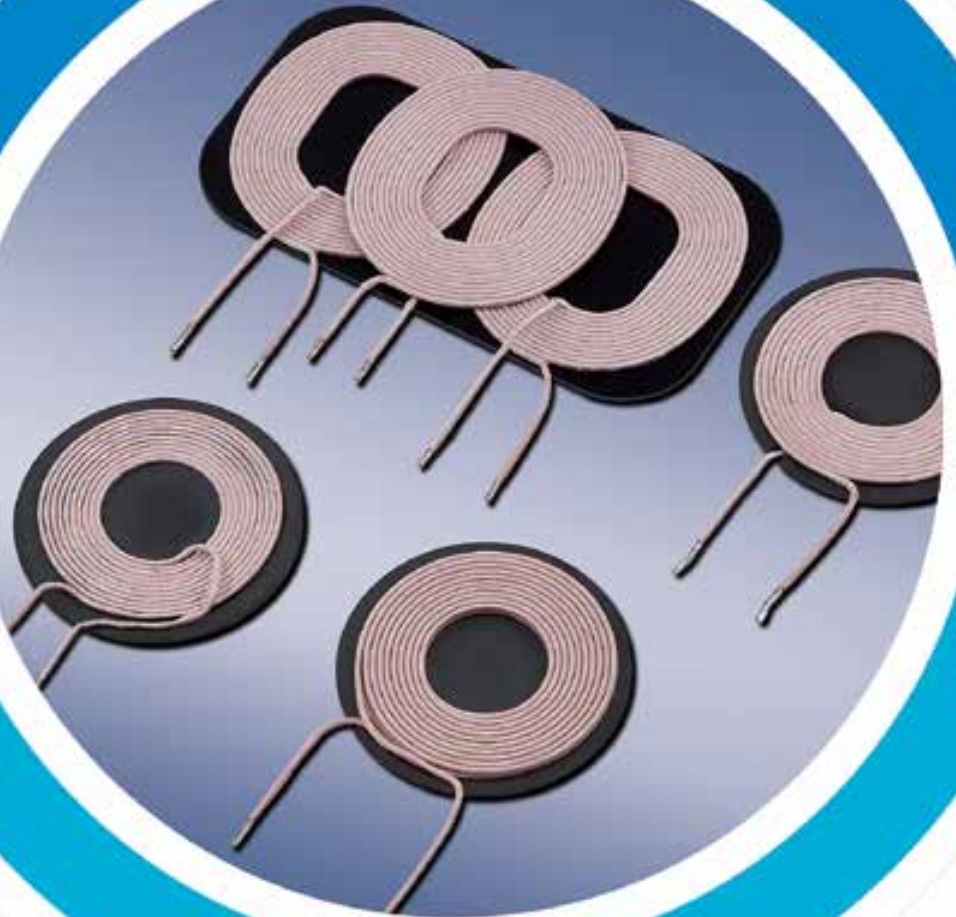


WIRELESS CHARGING COIL

WWW.3LCOIL.COM



INDUCTOR
SELECTION
RECOMMENDED

Wireless Charging Coil

DESCRIPTION

The size of new Tx - coil assembly (LxWxH)mm for the function of wireless charging, made of Mn-Zn ferrite shielding materials and Litz wire winding. It is ideal for wireless charging transmitter coil assembly and increase the charging efficiency.

BACKGROUND

Inductive Coupling: good coupling between two sets of coils, one transmitter coil and one receiver coil. An alternating current in the transmitter coil generates a magnetic field which induces a voltage in the receiver coil. This voltage can be used as the power for mobile device or battery.

PRODUCT IDENTIFICATION

WP T 505005 M 6R3 K A10
(1) (2) (3) (4) (5) (6) (7)

(1) Wireless Charging Coil Assembly.

(2) Location: **T**: Transmitter

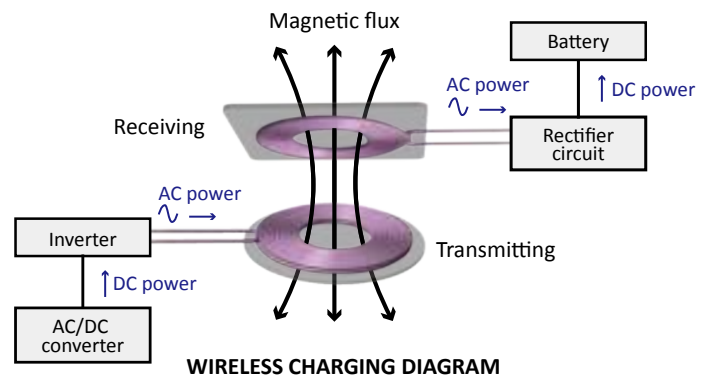
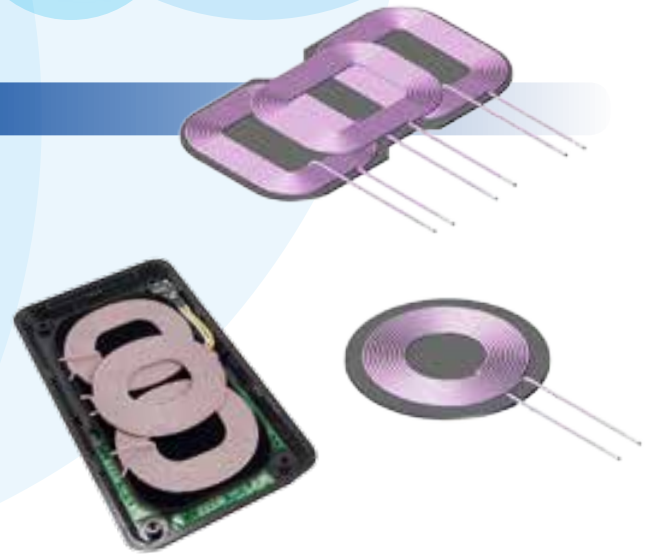
(3) Rectangle (L X W X H): 50x50x5.0mm
Circle (D X H): 50x5.0mm.

(4)Code: M for automobile ; None for general

(5) Inductance: 6R3 for 6.3uH.

(6) Inductance tolerance: **K**: $\pm 10\%$.

(7) Qi standard code or others.



FEATURES

- Qi standard compliance
- Size, shape, characteristics customized . Low profile
- High mechanical intensity
- High temperature protection design
- Operating Temp.:
 - 20°C to 85°C (General)
 - 40°C to 125°C (Automobile)

APPLICATIONS



Car charger



Mobile charger



Game Machine



Wearable device

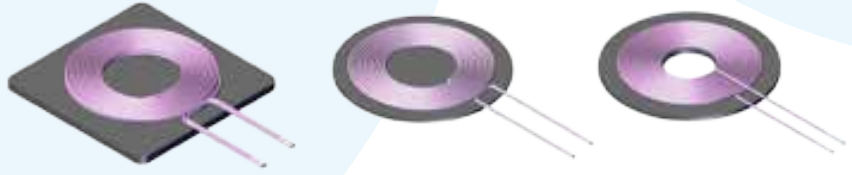


Robot cleaner

Wireless Charging Coil (Single coil)

FEATURES

- Qi standard compliance
- Single set of coil designs
- Product shape: Circle or square
- Length: 37~53mm, Thickness: 2.8~5.0mm
- Inductance: 6.3~24 μ H, Turns 10~25Ts

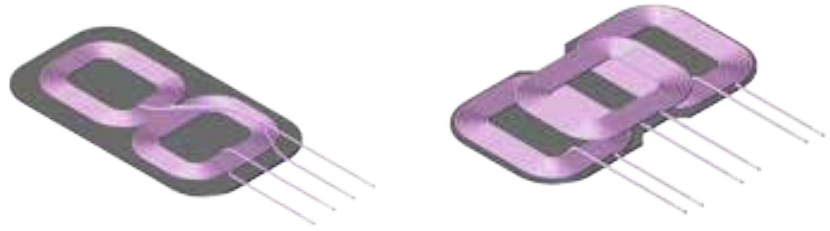


WPT5045-6R3K-A11		WPT5002-6R3K-A11B	
SIZE (mm): 50X4.5		SIZE (mm): 50X2.8	
Turns: 10Ts		Turns: 10Ts	
L (uH): 6.3+-10%	DCR(mΩ): 50 max	L (uH): 6.3 +-10%	DCR(mΩ): 50 max
@100kHz1.0V	WIRE: 0.08mm X 105P	@100kHz1.0V	WIRE: 0.08mm X 105P
WPT370503-16R5K-A3		WPT5004-240K-A10	
SIZE (mm): 37X5.3X3.5		SIZE (mm): 50X4.0	
Turns: 25Ts		Turns: 20Ts	
L (uH): 16.5+-10%	DCR(mΩ): 100 max	L (uH): 24 +-10%	DCR(mΩ): 90 max
@100kHz1.0V	WIRE: 0.20mm X 11P	@100kHz1.0V	WIRE:0.08mm X 105P
WPT535305-100K-MP-A5		WPT535305-6R3K-A11	
SIZE (mm): 53X53X5.0		SIZE (mm): 53X53X5.0	
Turns: 13Ts		Turns: 10Ts (5X2X2p)	
L (uH): 10+-10%	DCR(mΩ): 40 max	L (uH): 6.3+-10%	DCR(mΩ): 25 max
@100kHz1.0V	WIRE: 0.08mm X 105P	@100kHz1.0V	WIRE: 0.08mm X 105P

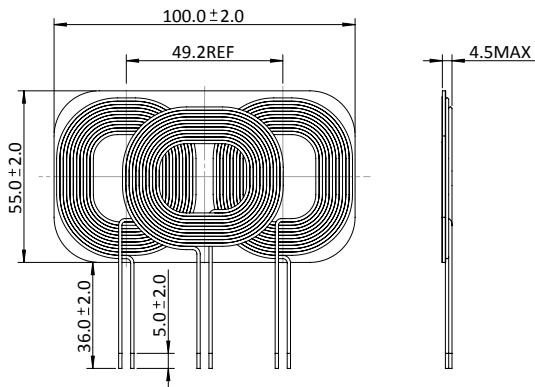
Wireless Charging Coil (Multi-coil)

FEATURES

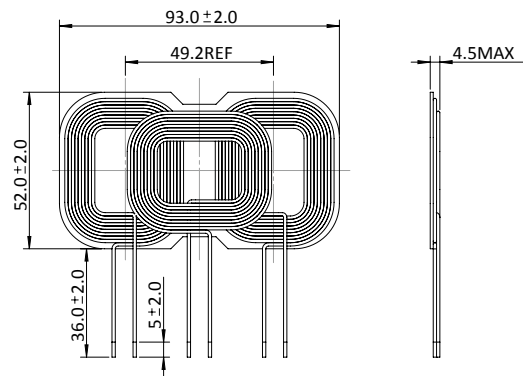
- Qi standard compliance
- Double / triple coil design
- Product shape: Rectangle
- Length: 100~93 mm, Thickness: 4~5 mm
- Inductance: 6.5~12.5uH, Turns: 9~12Ts



WPT1005504-12R5K-A6

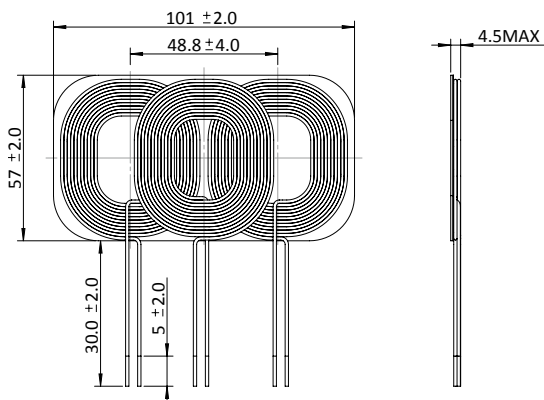


WPT935204-7R0K-A28

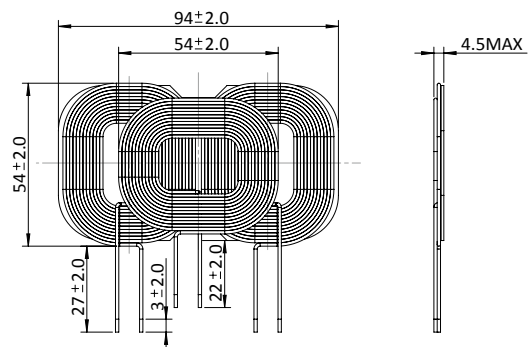


L(Upper):	11.5 uH +-10%@100kHz1.0V	L(Upper):	6.5 uH +-10%@100kHz1.0V
L(Lower):	12.5 uH+-10%@100kHz1.0V	L(Lower):	7.0 uH +-10%@100kHz1.0V
DCR Upper:	70 mΩ max	DCR Upper:	70 mΩ max
DCR Lower:	70 mΩ max	DCR Lower:	70 mΩ max
Turns Upper:	12Ts WIRE:0.08mm X 105P	Turns Upper:	9Ts WIRE: 0.08mm X 105P
Turns Lower:	12Ts WIRE:0.08mm X 105P	Turns Lower:	9Ts WIRE: 0.08mm X 105P

WPT1015704-10R2K-A9



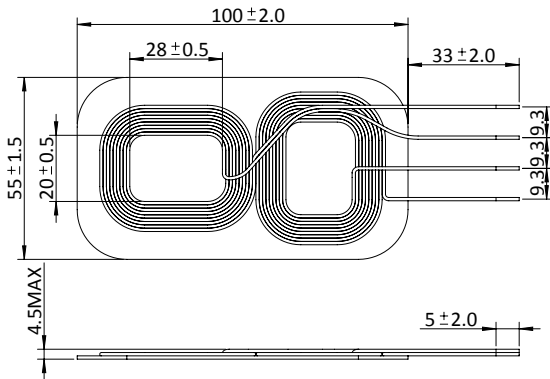
WPT945404-120K-A28



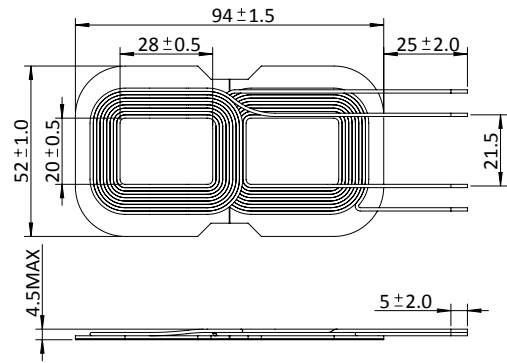
L(Upper):	9.8 uH +-10%@100kHz1.0V	L(Upper):	12.0 uH +-10%@100kHz1.0V
L(Lower):	10.2 uH +-10%@100kHz1.0V	L(Lower):	11.2 uH +-10%@100kHz1.0V
DCR Upper:	60 mΩ max	DCR Upper:	75 mΩ max
DCR Lower:	65 mΩ max	DCR Lower:	75 mΩ max
Turns Upper:	11Ts WIRE: 0.06mm X 200P	Turns Upper:	12Ts WIRE: 0.08mm X 105P
Turns Lower:	12Ts WIRE: 0.06mm X 200P	Turns Lower:	12Ts WIRE: 0.08mm X 105P

Wireless Charging Coil (Multi-coil)

WPT1005504-7R3K-S7



WPT945204-7R1K-A28



L:	7.3uH +-10%@100kHz1.0V	L:	7.1 uH +-10%@100kHz1.0V
DCR:	100 mΩ max	DCR:	80mΩ max
Turns:	9Ts: 9Ts	Turns:	9Ts: 9Ts
WIRE:	0.07mm X 105P	WIRE:	0.08mm X 105P

CUSTOMIZED

- Customized is welcomed for Qi standard or others

Please refer to the following feature ranges:

Inductance Range	DC Resistance Range	Dimensions Range	Thickness Range
1-100uH	10-1000 mΩ	6-200 mm	1.2-10 mm

Various Magnetic Cores

Material Assembly

Wireless Charging Coil

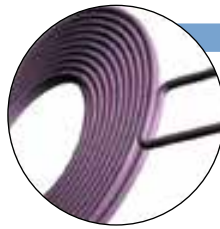
Custom Wire And Coil

3L wireless charging coil advantage



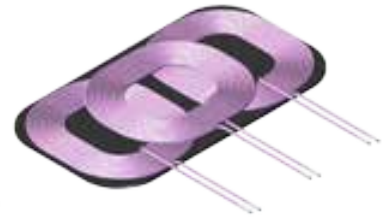
Wide choice of core

A variety of sizes and materials can be recommen.



Alpha Winding

The coil leads are on the outermost side.



Laser stripping

Control the stripping position percisely, good soldering ability.



USTC WIRE



High reliability, can reduce skin effect, increase Q value.



Automated production

Winding/solder/assembly/test, high reliability.

3L Electronic Corporation

Taiwan Sales Offices:

3L Electronic Corp. (Taiwan H.Q.)

✉ : 3F, No. 192, Sec. 2, Zhongxing Rd., Xindian Dist., New Taipei City, 23146 Taiwan (R.O.C.)

Domestic (Taipei)

☎ : +886 (2) 86659999 EXT:888 | 📠 : +886 (2) 86659900 | E-mail: Joker@3lcoil.com | Area Manager: Mr.Vicent Wu

Overseas

☎ : +886 (2) 86659999 EXT:231 | 📠 : +886 (2) 86659347 | E-mail: fiona@3lcoil.com | Area Manager: Ms. Fiona Chen

China Sales Offices:

Zhong Shan Sanle Electronic Ltd.

✉ : Six Industrial Area, Nanlang Zhen, Zhong Shan City, Guangdong Prov., China. P.C. : 528451

☎ : +86 (760) 28105888 EXT:558 | 📠 : +86 (760) 86628111 | E-mail: lily@3lcoil.com | Area Manager: Ms. Lily Chen

Sanle Electronic Ltd. (Su Zhou Branch)

✉ : Rm 2213 Building 8, Shihan Tanjie Plaza, No. 28, Shihan Rd., Suzhou, Jiangsu Province.

☎ : +86 (512) 68271186 | 📠 : +86 (512) 68271550 | E-mail: byronlee@3lcoil.com | Area Manager: Mr. Byron Lee

3L Electronic International Trading Limited (Shenzhen Branch)

✉ : 365 beautiful garden, Longhua District, 8th Floor, Room 810, Building J1. ZIP: 518109

☎ : +86 (755) 29572960 / 29273893 | E-mail: zhangjun@3lcoil.com | Area Manager: Mr. Kevin Zhang