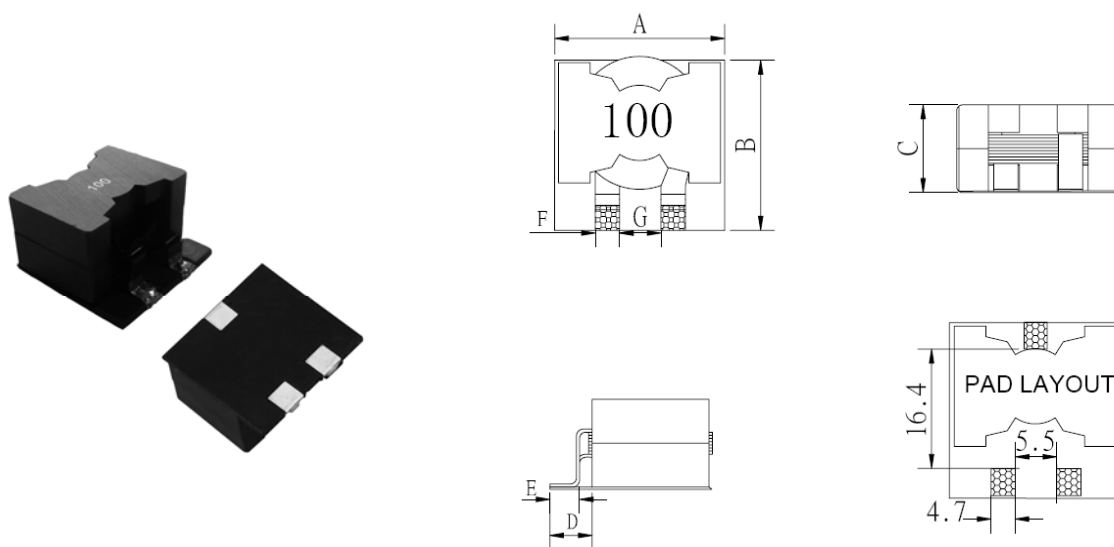


Shape and size: (Dimensions are in mm)



TYPE	A(max)	B(max)	C(max)	D	E	F	G
SMT PQ2614	27.9	26.9	15.9	6.9	3.8	4.0	6.1

Features:

- Clip Plated Type, Low Profile.
- Low DC
- High power, High saturation inductors.
- Ideal inductors for DC-DC conversion.
- Available on tape and reel for auto surface mounting.

Ordering information:

- SMT PQ2614L - 100 M**
- (1) (2) (3) (4)
- (1) Type: Surface Mountable Type.
- (2) Style: Flat wire with ER core and L or H is used for a big Current type instead of PQ2614
- (3) Inductance: **100** for 10 uH.
- (4) Inductance tolerance: **M**:± 20%. **K**:± 10%

Inductance and rated current ranges:

- SMT PQ2614L 1.5~33uH 2.0~100A
- SMT PQ2614H 2.2~33uH 4.0~100A

Characteristics:

- Saturation Rated Current (Isat): The current when the inductance becomes 10%(M:20%) lower than its initial value. (Ta=20°C)
- Temperature Rise Current (Irms): The current when temperature of coil increases up to Max. ΔT=40°C. (Ta=20°C)
- Operating temperature : -40 °C to 105 °C.

• Test equipments:

- L : Agilent 4284A LCR meter @500KHz, 0.1V
- DCR: tested by Milli-ohm meter.
- Electrical specifications at 25°C.

Applications:

- Desktop/server applications.
- Battery Power equipment.
- DC/DC converters.
- Power supplier, etc.

Part No.	Stamp	Inductance	Test Freq.	DCR	Saturation	Temperature
		L (uH)	(0.1V)	mOHM Max. (Typ.)	Rated Current (A) Max.	Rise current (A) Max.
SMTPQ2614L-1R5M	1R5	1.5	500 KHz	1.65 (1.5)	100.0	30.0
SMTPQ2614L-2R2M	2R2	2.2	500 KHz	1.65 (1.5)	82.0	30.0
SMTPQ2614L-3R3M	3R3	3.3	500 KHz	1.65 (1.5)	48.0	30.0
SMTPQ2614L-4R7M	4R7	4.7	500 KHz	1.65 (1.5)	33.0	30.0
SMTPQ2614L-6R8M	6R8	6.8	500 KHz	1.65 (1.5)	22.0	30.0
SMTPQ2614L-100K	100	10.0	500 KHz	1.65 (1.5)	13.0	30.0
SMTPQ2614L-150K	150	15.0	500 KHz	1.65 (1.5)	7.5	30.0
SMTPQ2614L-220K	220	22.0	500 KHz	1.65 (1.5)	4.5	30.0
SMTPQ2614L-330K	330	33.0	500 KHz	1.65 (1.5)	2.0	30.0

Part No.	Stamp	Inductance	Test Freq.	DCR	Saturation	Temperature
		L (uH)	(1.0V)	mOHM Max. (Typ.)	Rated Current (A) Max.	Rise current (A) Max.
SMTPQ2614H-2R2M	2R2	2.2	500 KHz	2.05 (1.86)	100	30.0
SMTPQ2614H-3R3M	3R3	3.3	500 KHz	2.05 (1.86)	62.0	30.0
SMTPQ2614H-4R7M	4R7	4.7	500 KHz	2.05 (1.86)	42.0	30.0
SMTPQ2614H-6R8M	6R8	6.8	500 KHz	2.05 (1.86)	30.0	30.0
SMTPQ2614H-100K	100	10.0	500 KHz	2.05 (1.86)	18.0	30.0
SMTPQ2614H-150K	150	15.0	500 KHz	2.05 (1.86)	11.5	30.0
SMTPQ2614H-220K	220	22.0	500 KHz	2.05 (1.86)	7.0	30.0
SMTPQ2614H-330K	330	33.0	500 KHz	2.05 (1.86)	4.0	30.0